

PRODUCT INFORMATION PACKET

Model No: 056T34D5366
Catalog No: J050
1,3450,DP,56J,3/60/208-230/460
Three Phase



Regal and Marathon are trademarks of Regal Beloit Corporation or one of its affiliated companies.
©2018 Regal Beloit Corporation, All Rights Reserved. MC017097E



Nameplate Specifications

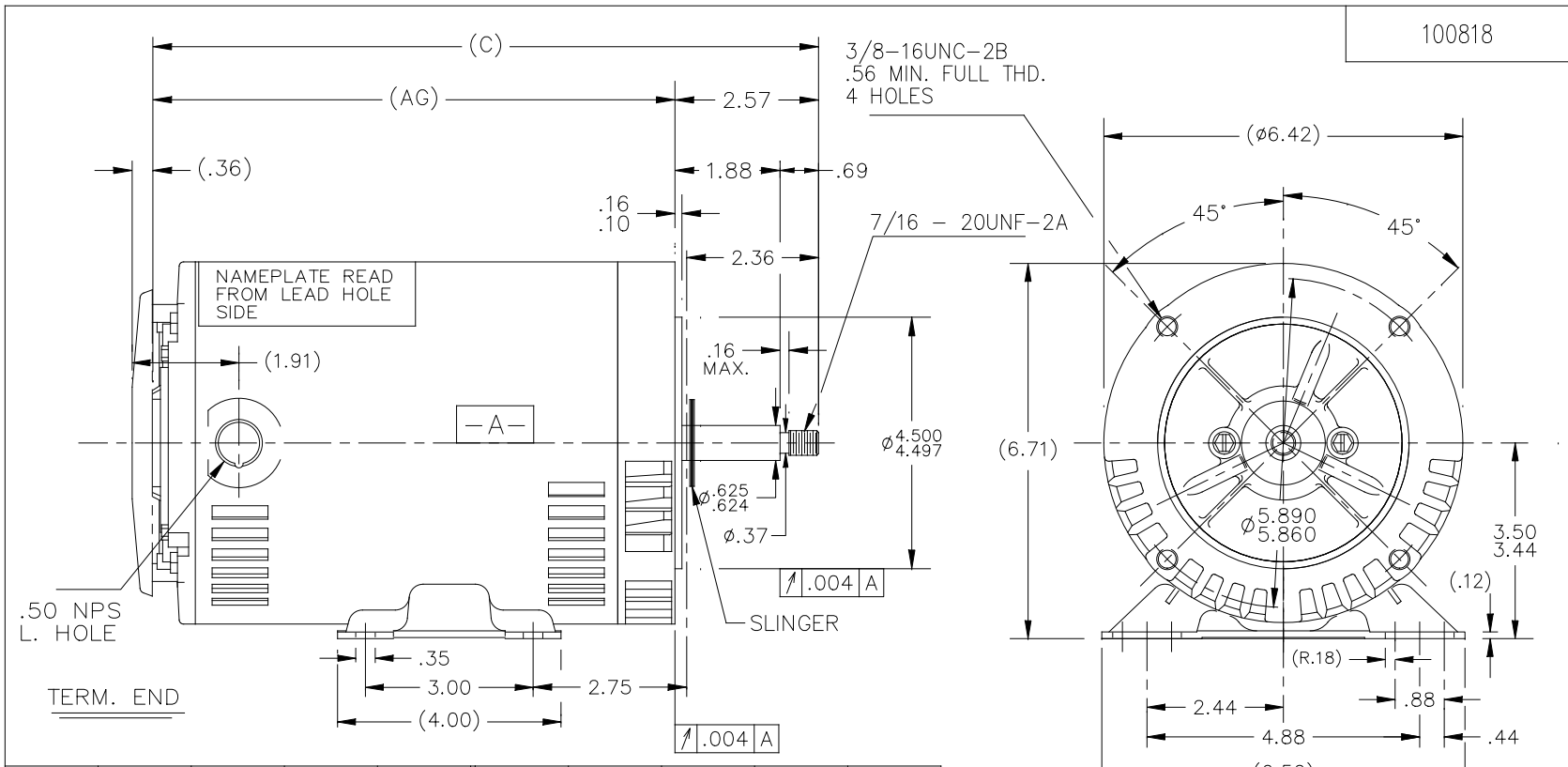
Output HP	1 Hp	Output KW	0.75 kW
Frequency	60 Hz	Voltage	208-230/460 V
Current	3.7-3.7/1.9 A	Speed	3450 rpm
Service Factor	1.4	Phase	3
Efficiency	74 %	Duty	Continuous
Insulation Class	B	Design Code	B
KVA Code	M	Frame	56J
Enclosure	Drip Proof	Overload Protector	No
Ambient Temperature	40 °C	Drive End Bearing Size	6203
Opp Drive End Bearing Size	6203	UL	Recognized
CSA	Y	CE	Y
IP Code	22		

Technical Specifications

Electrical Type	Squirrel Cage Induction Run	Starting Method	Across The Line
Poles	2	Rotation	Reversible
Mounting	Rigid base	Motor Orientation	Horizontal Or Shaft Down
Drive End Bearing	Ball	Opp Drive End Bearing	Ball
Frame Material	Rolled Steel	Shaft Type	J
Overall Length	10.93 in	Frame Length	6.56 in
Shaft Diameter	0.625 in	Shaft Extension	2.57 in
Assembly/Box Mounting	F1 Only		
Outline Drawing	A-100818-656	Connection Diagram	A-EE7308

This is an uncontrolled document once printed or downloaded and is subject to change without notice. Date Created: 06/28/2018

100818

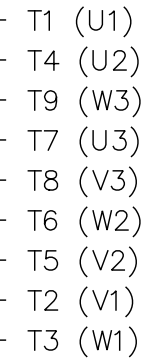


DASH	FR.	C	AG		DASH	FR.	C	AG	
606	56-60	10.43	7.86		806	56-80	12.43	9.86	
656	"-65	10.93	8.36		856	"-85	12.93	10.36	
706	"-70	11.43	8.86		906	"-90	13.43	10.86	
756	"-75	11.93	9.36		956	"-95	13.93	11.36	

				TOLERANCES UNLESS SPECIFIED		Regal Beloit America, Inc.	DRAWN KL 09-27-1993
				DEC.	INCHES		CHK ML 09-28-1993
				X	±.1		APPD GK 09-28-1993
				XX	±.03		SCALE 3=8
D	REDRAWN IN CAD	SM 05-15-2017	SM .XXX	±.005	TITLE OUTLINE	REF	
1	NEW DRAWING CN 36315	KL 09-28-1993	ML .XXXX	±.0005	56 FR - BB - DR.PR. - C'FACE - 1ø	FMF	
NO.	REVISION	BY & DATE	CHK ANG	±7'30"	MAT'L.	PREV	
THIS DRAWING IN DESIGN AND DETAIL IS OUR PROPERTY AND MUST NOT BE USED EXCEPT IN CONNECTION WITH OUR WORK ALL RIGHTS OF DESIGN AND INVENTION ARE RESERVED THIS IS AN ELECTRONICALLY GENERATED DOCUMENT - DO NOT SCALE THIS PRINT				RFP	CAD FILE 100818	SIZE A	DRAWING NO. 100818
				DIST WP		PAGE OF	REV. D

EE7308

THREE PHASE
DUAL VOLTAGE MOTOR



VIEW OF TERMINAL END

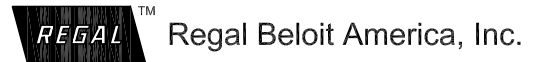
REF.
WINDING DIAGRAM

T8Y, T2Y, T2BL, T4BX, T2EC, T2G
T6BZ, T2B, T6BL, T4AV, T6B, T4B

OPTIONAL CORD
CONNECTION

L1 — WHITE
L2 — RED
L3 — BLACK

NO.	REVISION	BY & DATE	CHK	ANG	TOLERANCES UNLESS SPECIFIED		FINISH	DRAWN RM 11/20/1990				
					DEC.	INCHES						
5	CHG TO REGAL LOGO	SL 09/10/2015	AB					CHK ML 11/21/1990				
4	REVISED IEC NOTATIONS	MSG 11/15/2011	CMN	.X	±.1			APPD SAS 04/24/2003				
3	ADDED IEC NOTATIONS... (U1), (V1) ETC. MU95194	MSG 5/10/2010	MJS	.XX	±.02		TITLE CONNECTION DIAGRAM	SCALE 1=1				
2	ADDED THE OPTIONAL CORD CONNECTION MU46318	RDH 04/24/2003	DRS	.XXX	±.005		3Ø - DUAL VOLTAGE MOTOR	REF				
1	REDRAWN	RM 11/20/1990		.XXXX	±.0005		MAT'L.	FMF				
					±7'30"			PREV				
THIS DRAWING IN DESIGN AND DETAIL IS OUR PROPERTY AND MUST NOT BE USED EXCEPT IN CONNECTION WITH OUR WORK ALL RIGHTS OF DESIGN AND INVENTION ARE RESERVED THIS IS AN ELECTRONICALLY GENERATED DOCUMENT - DO NOT SCALE THIS PRINT							RFP	CAD FILE ee7308	SIZE A	DRAWING NO. EE7308	PAGE OF 5	REV. 5
							DIST WP					



FORM 3531 REV.3 02/07/99

** Subject to change without notice.